

# SKYTOWER SV-E series



Photo: Spring-loaded gate half height (OPTION) is equipped.

## *SVO6EINS*

Platform Height  
**5.72m**

Load Capacity  
**227kg**

## *SVO6EINL*

Platform Height  
**6.10m**

Load Capacity  
**363kg**

## *SVO8EINL*

Platform Height  
**7.77m**

Load Capacity  
**227kg**

## *SVO8EIWL*

Platform Height  
**7.92m**

Load Capacity  
**454kg**

## *SV10E1WL*

Platform Height  
**9.68m**

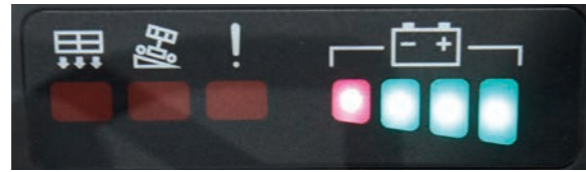
Load Capacity  
**317kg**



# Feature Introduction

## Upper Control Equipment

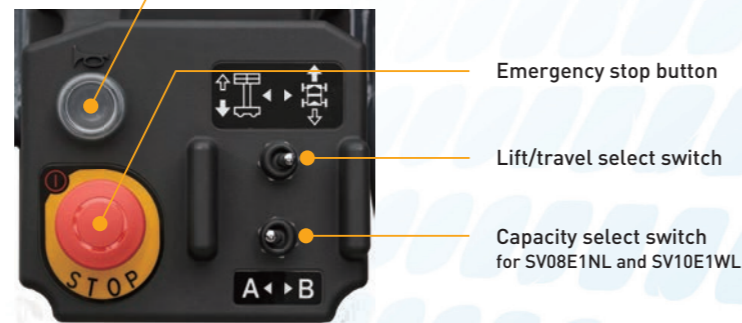
Located at a convenient height of 1m from the platform deck. Controls include enable switch, lift/travel lever and emergency stop button, as well as an easy-to-view battery level indicator.



Warning lights  
 Battery level indicator  
 4 LEDs: 76-100%    2 LEDs: 26-50%  
 3 LEDs: 51-75%    1 LED: less than 25%

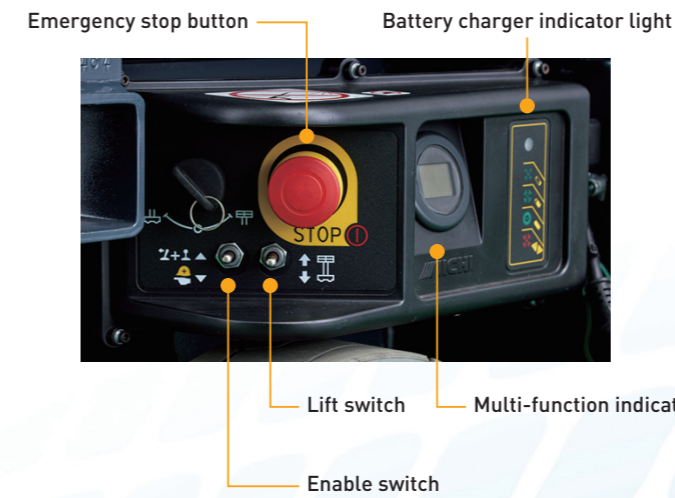


Steering switch  
 Lift/travel joystick controller with steering switch  
 Enable switch



Horn button  
 Emergency stop button  
 Lift/travel select switch  
 Capacity select switch for SV08E1NL and SV10E1WL

## Lower Control Equipment



The right side of the chassis includes the lower control equipment, as well as a multi-function indicator for displaying the battery level and hour meter, and a battery charger indicator light.



**Multi-function indicator**  
 Displays the battery level and hour meter.



**Battery charger indicator light**  
 Displays the status of the charger using different colors and solid/flashing indicators.



**Charging plug**  
 Charger cable is nearby the lower control box.

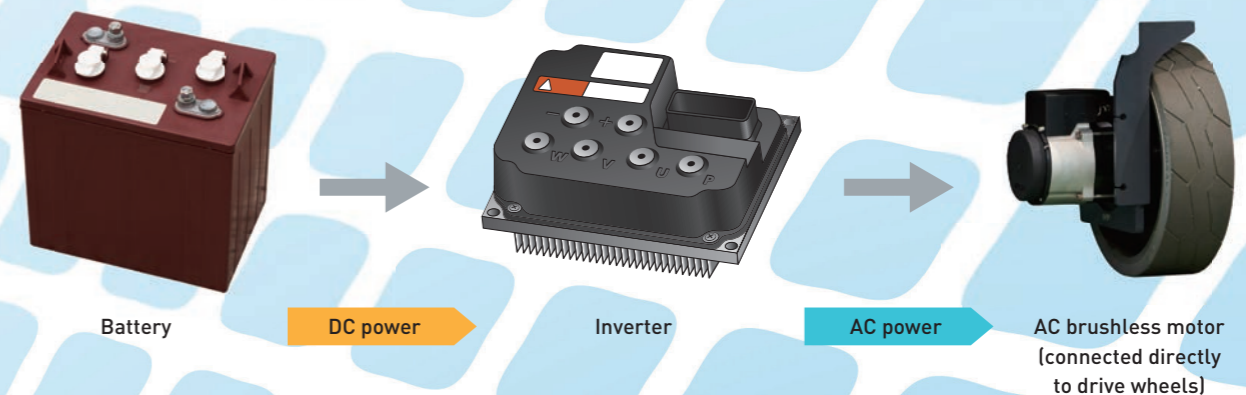
## Sliding Extension Deck



The platform deck can be extended for greater reach to get closer work areas, even if objects on the road are blocking the chassis from the site area.

## AC Drive Motor

An AC drive motor with energy saving has been used to ensure a long operation time.



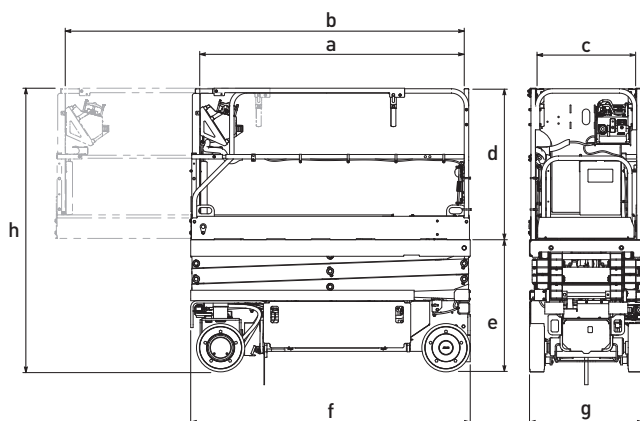
# Specifications

General	MODEL	SV06E1NS	SV06E1NL	SV08E1NL	SV08E1WL	SV10E1WL	
	TYPE	Wheel type vertical lift aerial platform					
Platform	Load capacity	Total	227kg	363kg / *227kg		454kg / **317kg	
		Extension	113kg	113kg		113kg	
	Floor height		5.72m	6.10m	7.77m	7.92m	9.68m
Weight	Machine weight	1,230kg	1,640kg	2,100kg	2,390kg	2,390kg	
	Tire loading force	635kg	755kg	830kg	960kg	960kg	
Lifting	Speed	Up	26sec.	28sec.	33sec.	40sec.	55sec.
		Down	30sec.	40sec.	37sec.	50sec.	60sec.
Traveling	Speed	High	0 to 4.8km/h	0 to 4.5km/h		0 to 4.0km/h	
		Low	0 to 0.8km/h	0 to 0.8km/h		0 to 0.8km/h	
	Gradeability		25% (14°)				
Power sources	Input voltage	AC100-240V					
	Battery voltage	DC24V					
	Battery capacity	185Ah					
Devices	Safety devices	Enable switch, emergency stop button, horn button, traveling speed control system, pothole protector, hydraulic safety devices, electric safety devices, motion alarm					
	Other devices	Detachable upper control box, battery level indicator light, multi-function indicator					
Platform inner dimension	Length	a	1.77m	2.20m		2.40m	
	Extension	b	2.67m	3.10m		3.67m	
	Width	c	0.68m	0.68m		1.03m	
	Height	d	1.11m				
Machine dimension	Floor height	e	0.88m	1.10m	1.22m	1.22m	
	Overall length	f	1.87m	2.30m		2.50m	
	Overall width	g	0.76m	0.81m		1.17m	
	Overall height	h	1.99m	2.21m	2.33m	2.33m	

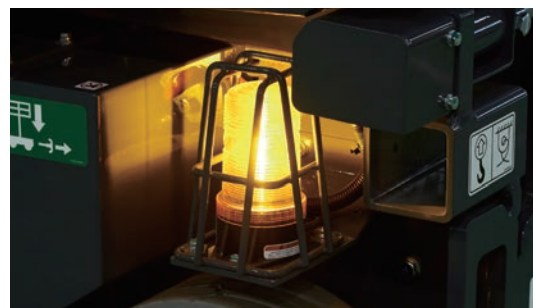
\* For SV08E1NL, 227kg is applicable when the floor height is over 6.10m.

\*\* For SV10E1WL, 317kg is applicable when the floor height is over 7.92m.

## Dimension



## Option



### Flash beacon

Flashes when power is on to alert people nearby.



1152-10 Ryoke Ageo Saitama 362-8550 Japan  
TEL:+81-48-781-6907 URL:<http://www.aichi-corp.jp>

DISTRIBUTOR