

cmc
XTRM

S28
🇬🇧

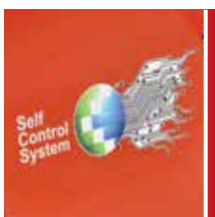


www.cmclift.com

Σ DETAILS



**GOES THROUGH
A STANDARD DOOR**



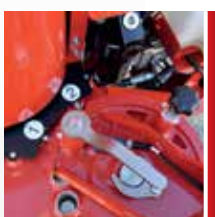
**S.C.S.
(SELF CONTROL SYSTEM)**



**SELF-LOADING
PLATFORM**



**RADIO CONTROL
WITH COLOR DISPLAY**



**FOUR
STABILIZATION AREAS**



**ADJUSTABLE TRACKS
IN HEIGHT AND WIDTH**



JIB



Platform with two articulated telescopic booms plus jib. A concentrate of power and technology ready to amaze. With four stabilization areas, two work areas and stabilizers to “overpass”, it is able to work on any terrain and reach even the most inaccessible places. Twenty-eight meters maximum working height, 14m outreach and 6.7m under floor level make it an unparalleled platform.

Standard equipment

S28 is supplied with a Kubota D902 diesel engine, SCS system (among other it allows automatic stabilization, automatic speed control and automatic closing of the aerial part), radio control, anti-collision system, adjustable tracks in height and width plus triple travel speed. Thanks to the different stabilization areas, to the possibility of performing several maneuvers at the same time, to the easy and intuitive controls, and to the self-loading function, it is a one of a kind platform in its class.

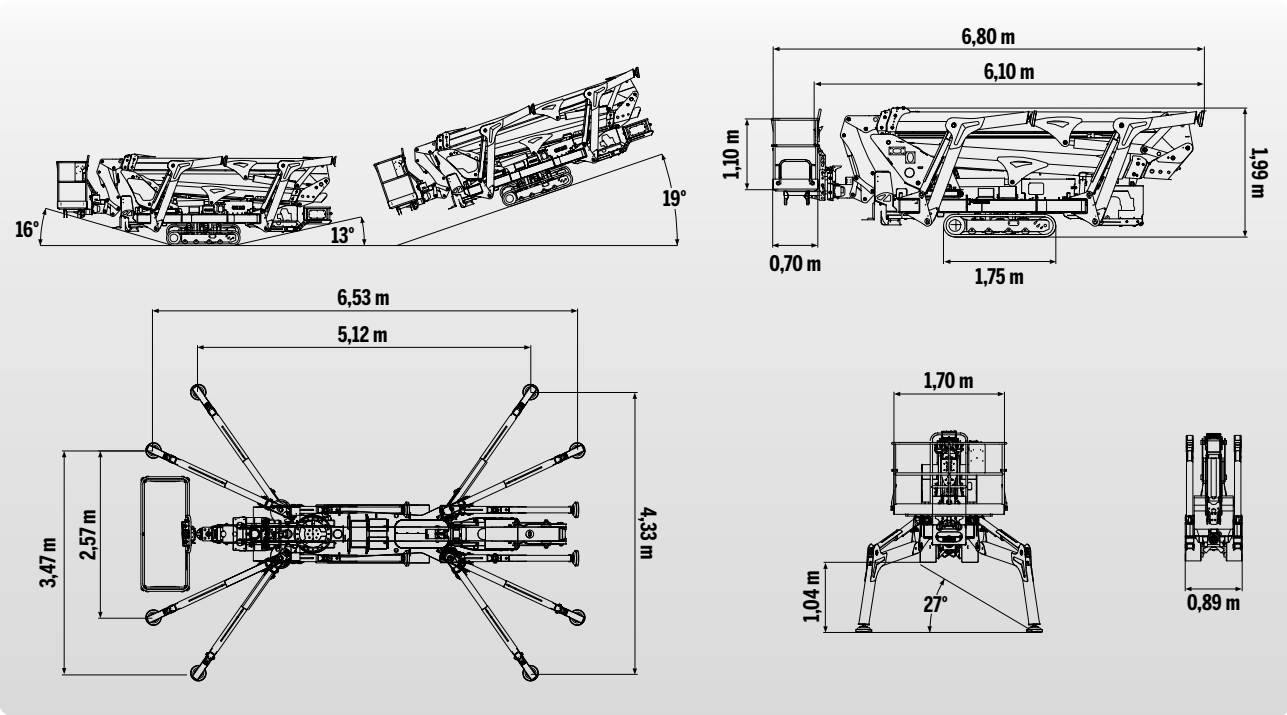
Available accessories:

- Full lithium battery version (200Ah)
- Hybrid version (diesel engine + lithium batteries)
- 110V, 120V or 230V electric motor
- No-marking tracks
- 1 or 2-men fiberglass basket
- Water/air hose on the basket
- 110V, 120V or 230V Electric socket on the basket
- Remote connection kit
- Fixed control station in the basket
- Customized colors

The specifications and characteristics indicated are subject to change and are not binding.



TECHNICAL DATA

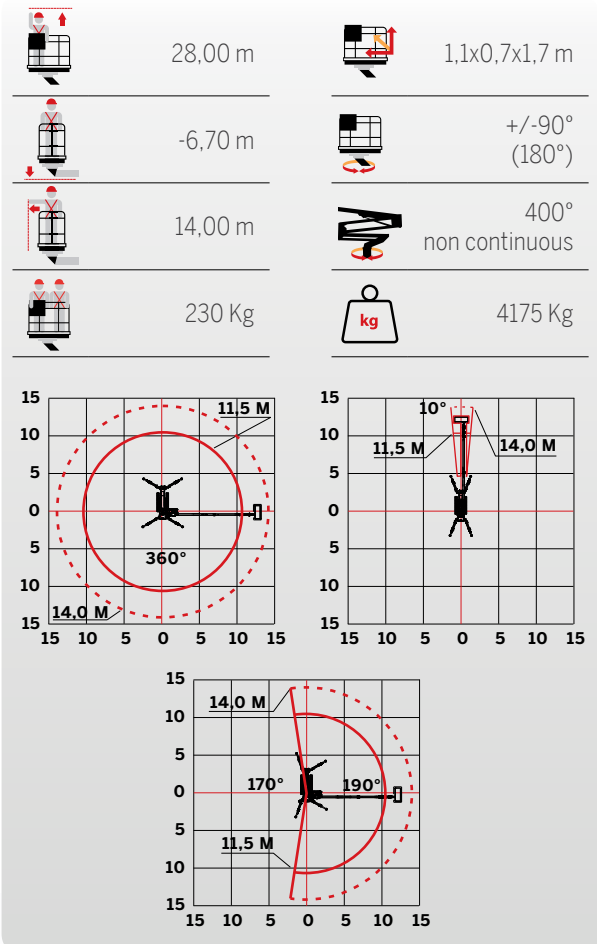
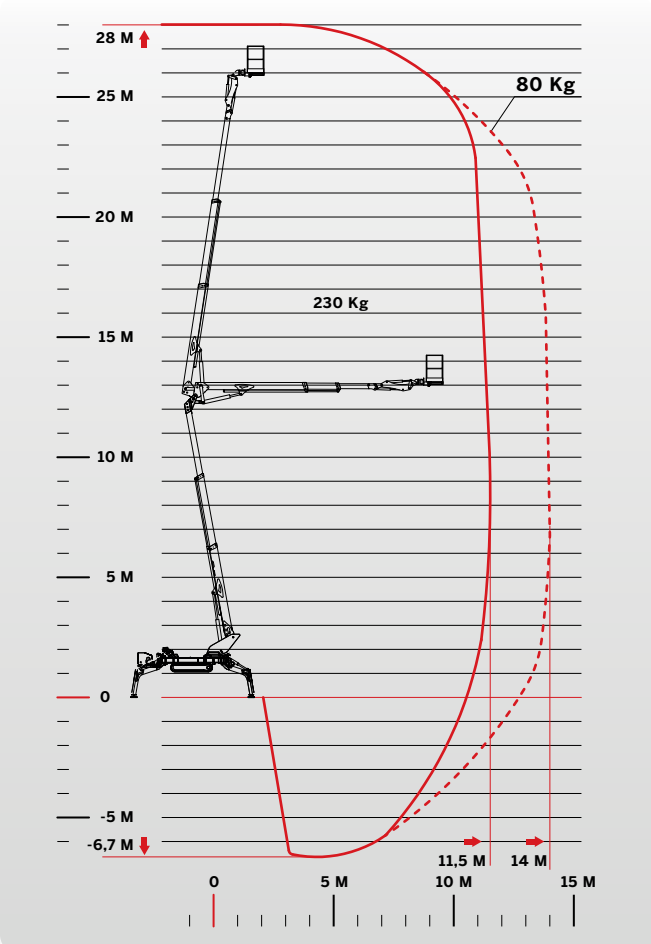


MAXIMUM LOAD

230 KG + 70 KG ✗ 80 KG



PERFORMANCE





**When the going gets tough,
the tough get going.**

Is an unstoppable platform with unparalleled performance. CMC S28 is unrivaled and unparalleled. Thanks to the most advanced technology and the choice of high-performance materials, it is able to work almost anywhere. The intuitive operating system and the unparalleled maneuverability make it an extremely versatile platform capable of overcoming any obstacle. The indication of the error code and a quick and easy operation make S28 a must-have in every fleet. Thanks to the performance of the stabilizers, S28 is self-loading on a truck.

