

cmc

XTRM

S15



www.cmclift.com

Σ DETAILS



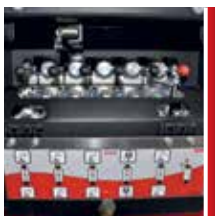
**GOES THROUGH
A STANDARD DOOR**



**TRANSPORTABLE
WITH TRAILER
EU DRIVING LICENCE B/E**



**PROPORTIONAL
ELECTRO-HYDRAULIC
CONTROLS**



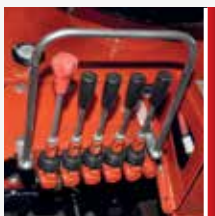
**EMERGENCY
CONTROLS**



**WIRED REMOTE CONTROL
FOR TRANSLATION**



**HONDA ENGINE
GX390**



**STABILIZER
CONTROLS**



Geometric platform without outreach limiter. The most compact in its category: articulated with double pantograph, telescopic boom with one extension plus Jib. Also available with innovative design basket. Thanks to its small size it goes through a standard door and enters the lifts. The single, intuitive and effective controls and the possibility of translation with raised Jib make it an unattainable platform.

Standard equipment

The S15 comes with Honda petrol engine GX390, fixed tracks and a proportional wired remote control for translation. 12V on the basket and fault detection display.

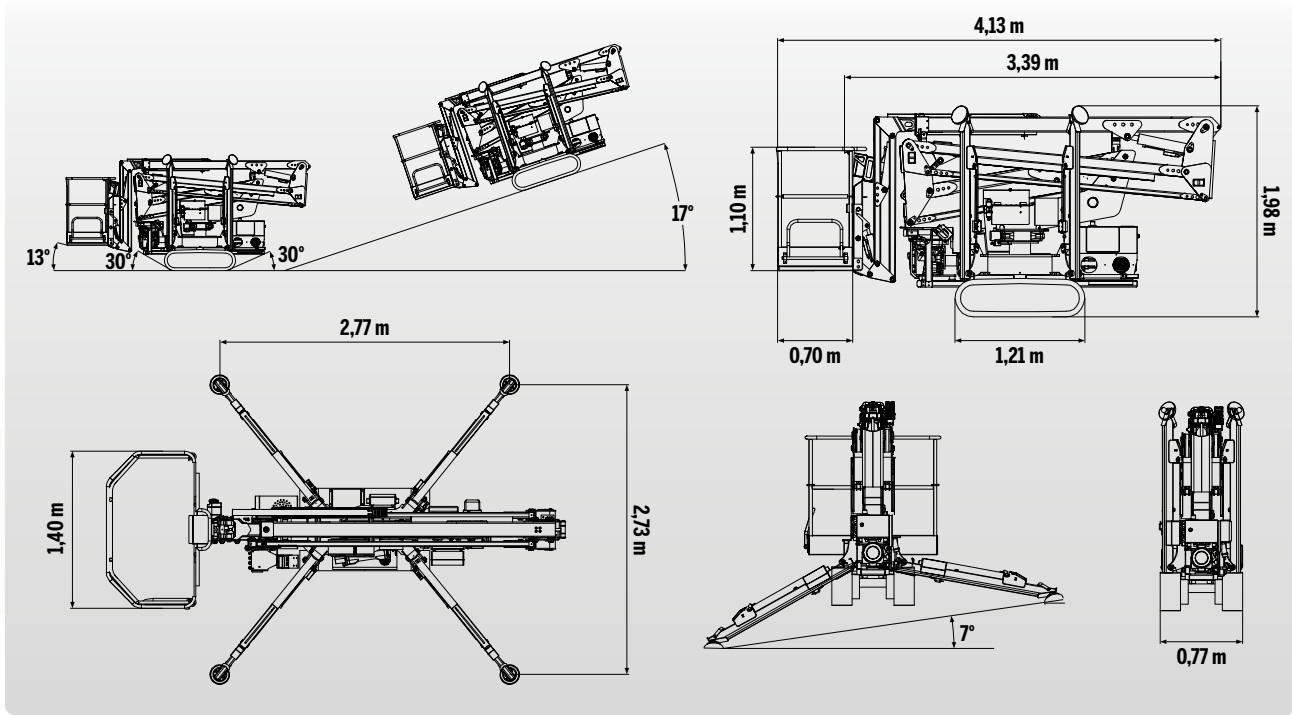
Available accessories:

- Kubota Z482 diesel engine
- Lithium battery (100Ah)
- 220V, 120V or 110V electric motor
- Hydraulically extendable tracks
- No-marking tracks
- 1 or 2-men fiberglass basket
- Water/air hose on the basket
- 220V, 120V or 110V electric socket on the basket
- Remote connection kit
- Basket with rounded corners
- Customized colors

The specifications and characteristics indicated are subject to change and are not binding.



TECHNICAL DATA

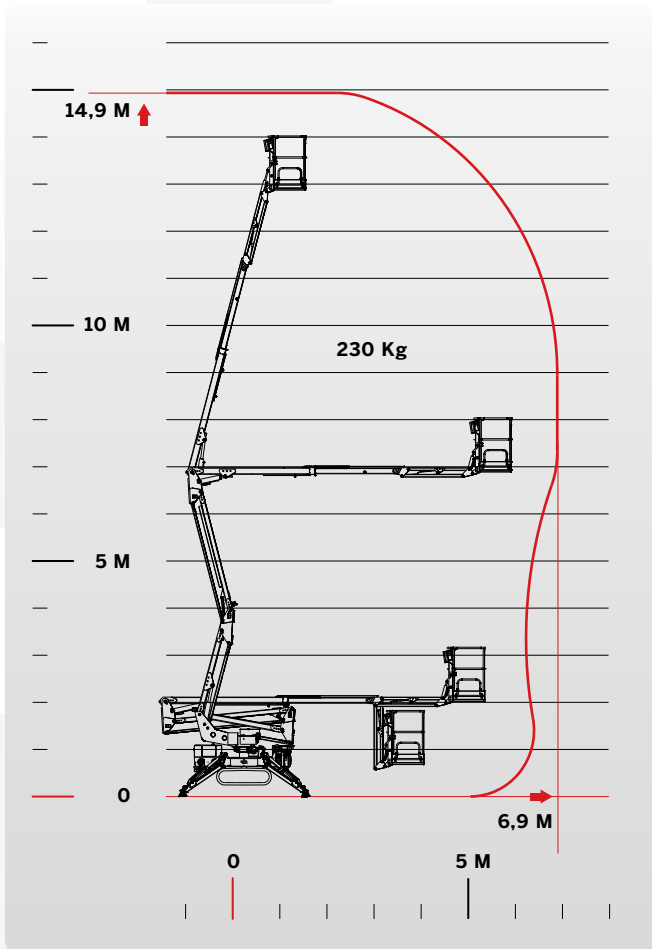


MAXIMUM LOAD

230 KG + + 70 KG



PERFORMANCE



14,90 m



1,2x0,7x1,1 m



6,90 m



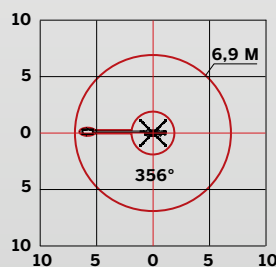
360° non continuous



230 Kg



1960 Kg





Incredible performances and reduced dimensions, the most compact crawler platform in its class.

Compact design, with 6.90 meters outreach. This crawler aerial platform is a great alternative to the truck-mounted platform. Thanks to its size and reduced weight it goes through a standard door and can be transported on a trailer.

