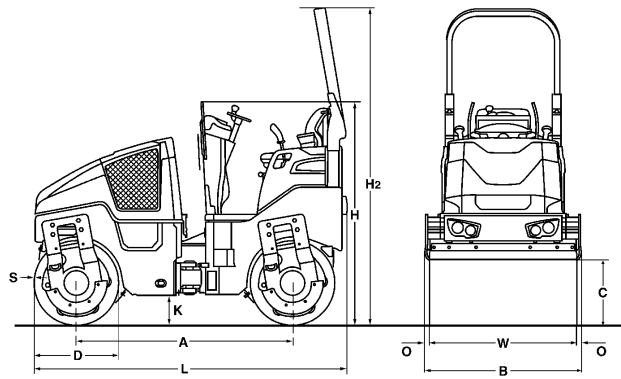


TECHNICAL DATA

TANDEM ROLLERS

BW 100 AD-5, BW 120 AD-5





Dimensions in in

	A	B	C	D	H	H2	K	L	O	S	W
BW 100 AD-5	69.0	42.2	20.6	27.6	71.2	101.1	10.0	99.6	1.4	0.5	39.4
BW 120 AD-5	69.0	50.1	20.6	27.6	71.2	101.1	10.0	99.6	1.4	0.5	47.2

Shipping dimensions in cub.yd

BW 100 AD-5
BW 120 AD-5

without ROPS

6.413
 7.614

with ROPS

9.106
 10.811

Machine type	Compaction output (cub.yd/h) at recommended soil layer thicknesses		
	Gravel, sand	Mixed soil	Silt, clay
BW 100 AD-5	104.6-189.7	71.9-137.3	49.7-95.5
BW 120 AD-5	111.2-222.4	85.0-163.5	56.2-111.2

Machine type	Compaction output (t/h) at different asphalt layer thicknesses		
	0.8-1.6 in	2.4-3.1 in	3.9-5.5 in
BW 100 AD-5	15-40	40-60	60-100
BW 120 AD-5	20-45	40-70	70-120

Technical Data

BOMAG BW 100 AD-5

BOMAG BW 120 AD-5

Weights

Operating weight w. ROPS CECE	lb	5.512	5.953
Average static linear load CECE	lb/in	70.0	63.0
Grossweight	lb	7.275	7.716

Dimensions

Working width	in	39.4	47.2
Track radius, inner	in	100.4	96.5

Driving Characteristics

Speed	mph	0- 6.2	0- 6.2
Working speed with vibration	mph	0- 6.2	0- 6.2
Max. gradeability without/with vibr.	%	40/30	40/30

Drive

Engine manufacturer		Kubota	Kubota
Type		D1803	D1803
Emission stage		4/4	4/4
Cooling		water	water
Number of cylinders		3	3
Performance ISO 14396	kW	24.6	24.6
Performance SAE J 1995	hp	33.0	33.0
Speed	min-1	2.600	2.600
Speed adjustment 1	min-1	2.500	2.500
Speed adjustment 2	min-1	2.600	2.600
Electric equipment	V	12	12
Driven drum		front + rear	front + rear

Brakes

Service brake		hydrost.	hydrost.
Parking brake		hydromec.	hydromec.

Steering

Steering system		oscil.artic.	oscil.artic.
Steering method		hydrost.	hydrost.
Steering / oscillating angle +/-	deg	32/10.0	32/10.0
Crab walk	in	0- 2	0- 2

Exciter system

Vibrating drum		front + rear	front + rear
Drive system		hydrost.	hydrost.
Frequency	vpm	3,780/4,020	3,780/4,020
Amplitude	in	0.020	0.020
Centrifugal force	lb	6,744/7,644	8,093/9,217

Sprinkler System

Type of sprinkling		pressure	pressure
--------------------------	--	----------	----------

Capacities

Fuel	gal	9.2	9.2
Water	gal	54.2	54.2

Technical modifications reserved. Machines may be shown with options.

Standard Equipment

- Hydrostatic travel and vibration drive
- Pressure sprinkler system with interval switch
- 2 scrapers per drum, spring loaded and tilttable
- Multi function travel lever
- Multi-function display incl. operating hour meter
- Water level
- electronic fuel gauge
- Emergency STOP
- Individual control, vibration
- Intelligent Vibration Control (IVC)
- Integrated stowage compartment
- Adjustable operator's seat
- Lashing eyes, galvanized
- Back-up alarm
- Single point lifting device
- Vandalism protection
- Lockable engine hood made of composite material
- Working lights front and rear
- 12V socket
- Seat contact switch

Optional Equipment

- * Foldable ROPS incl. seat belt
- Edge cutter-right/left
- Sliding seat incl. double travel lever
- Gravel scatterer
- Battery disconnect switch
- Indicator and hazard lights
- Rotary beacon
- Optional lighting on ROPS
- Sun roof, foldable with ROPS
- Weather protection for sun roof
- Special painting
- Seat heating
- Backup warning buzzer with broadband technology
- Flow divider
- Environmentally compliant hydraulic oil
- Theft protection
- BOMAG TELEMATIC
- ECONOMIZER
- Asphalt temperature display

* Standard delivery with CE conformity
(valid within European Union)

